



LTPARTZ[®]
automotive light solutions



P R E M I U M
L E D
2 0 2 0

6 PRODUCT GROUPS

19 SUBCATEGORIES

MORE LIGHT FOR

Founded in 2015, LTPRTZ is rapidly developing a high momentum of its own. Especially the demand from the B2B-business allows a rapid establishment on the market and Lightpartz becomes one of the most popular manufacturers for auxiliary vehicle lighting in Europe within a short time.

In the beginning there was a simple but good idea. More light for your vehicle!

PRODUCT FAMILY		HEADLIGHTS		LIGHTBARS	
		<i>ROUND</i>	<i>HIGHBEAM</i>	<i>OFFROAD</i>	<i>STREET LEGAL</i>
		<i>WITH LOW BEAM</i>	<i>DAYTIME RUNNING LIGHT</i>	<i>OFFROAD AND STREET LEGAL</i>	
WORK LIGHTS		DRIVING LIGHTS		WARNING LIGHTS	
<i>10 - 49 W</i>	<i>ULTRARED</i>	<i>DRIVING BEAM</i>	<i>LIGHTBAR</i>	<i>FLASH MODULES FRONT/REAR</i>	<i>SAFETY LAMPS</i>
<i>50 - 180 W</i>	<i>SEARCHLIGHT</i>		<i>ROUND</i>	<i>WARNING BEACONS</i>	<i>LIGHTBARS</i>
		<i>REVERSING LIGHT</i>	<i>WITH PARKING LIGHT</i>	BOAT LIGHTS	

YOUR VEHICLE

A lot has happened since then and we look back with pleasure on a company history of over 5 years. Today, together with our production partners, lighting engineers and designers, we design innovative lighting products with the respective prescribed EU approvals.

Our customers include numerous vehicle converters and tuners, such as international vehicle and caravan manufacturers. Our mission is to develop innovative lighting solutions for every type of vehicle and to bring them to product maturity.

Our product range includes worklights, lightbars and searchlights, as well as head-, driving- and foglights with European road approval and safety lighting.

LIGHTPARTZ is the first choice when it comes to your vehicle.

P H X L 7
HEADLIGHT S. 5

D L S S 9 E
DRIVING LIGHT S. 11

P R I M E - X
DRIVING LIGHT S. 17

F L A T - X
DRIVING LIGHT S. 23

X - T Y P E
DRIVING LIGHT S. 31

X-TYPE
DRIVING LIGHT
FLAT-X
DRIVING LIGHT
PRIME-X
DRIVING LIGHT
DLSS9E
DRIVING LIGHT
PHXL7
HEADLIGHT



LTPZ-PXHL-7 Headlights
With ECE road approval
7" BI-LED

Prime Version
Position and daytime running light
With moisture compensation membrane
Original equipment optics and quality
Part Number: LTPZ-PXHL-7
EAN: 4260482526238

PR



7 " B I - L E D
H E A D L I G H T
W I T H
D A Y T I M E
R U N N I N G
L I G H T

X-TYPE
DRIVING LIGHT

FLAT-X
DRIVING LIGHT

PRIME-X
DRIVING LIGHT

DLSS9E
DRIVING LIGHT

PHXL7
HEADLIGHT



LOW BEAM LIGHT

DAYTIME
RUNNING
LIGHT

HIGH BEAM

EUROPEAN
ROAD
APPROVAL



Lifetime
(ca. h)



L.E.D.S.



Waterproof



Approval



Housing



RoHS 2



E-mark
Certification



CHANGE NOW



TECHNICAL DATA

<i>Input voltage</i>	9-33V
<i>Light source</i>	Dipped high beam: 23W/15W 1x OSRAM
	Standing/daytime running light: 2W/14W, 4x CREE
<i>Lifetime LED</i>	up to 100.000 h
<i>Light output (effective)</i>	Low beam light: 12V/24V: 1336 lm / 1358.2 lm
<i>Light Scattering</i>	ECE
<i>Light colour</i>	6000K
<i>Protection class</i>	IP68
<i>Lens</i>	break-proof polycarbonate
<i>Housing</i>	Die-cast aluminium
<i>Attachment</i>	Installation in original holder
<i>Connection</i>	H4 additionally 2-polig
<i>Weight</i>	0.8 kg
<i>Dimensions</i>	Ø 177 mm Depth 118 mm
<i>Homologation</i>	ECE 112R Klasse B 87R 7R 10R
	Ref. 17.5

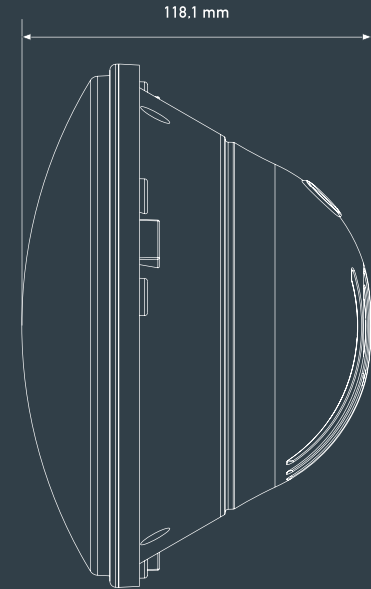
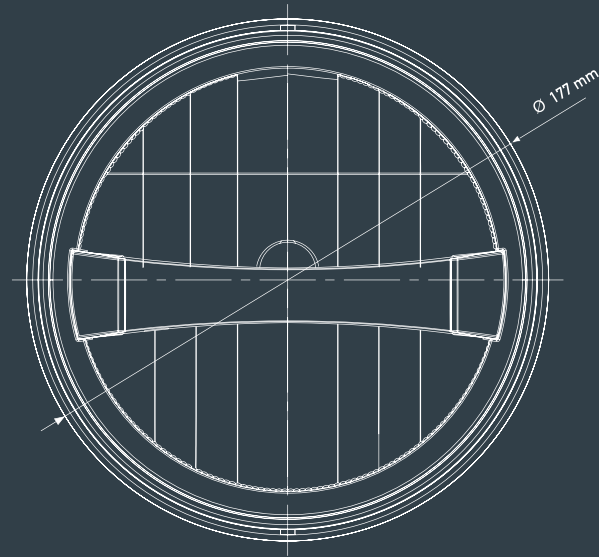
Whether for Mercedes G, Defender or all other models with 7" main headlights - with this headlight you get the unadulterated original look of your favourite, but benefit from trend-setting LED reflector technology that penetrates every darkness. The Lightpartz LED headlight can be used for automotive defenders, hammer, motorcycles, individual tuning and off-road 4x4 vehicles and much more. To replace the original halogen bulb, it fits perfectly to your favourite car.





The function includes high beam, low beam, position light and daytime running light (DRL). The streamlined design shows the form of simplicity and aesthetics; it also reduces the bulb's bulky nature. Not only does it have an elegant design, it also makes full use of the reflector to ensure excellent performance and beam characteristics.

Due to the LED light source, the colour is not only cool white (6000K), but can also save up to 87% of the previous power consumption of conventional lamps.



This significantly reduces the overall power consumption of the car and extends the battery life.

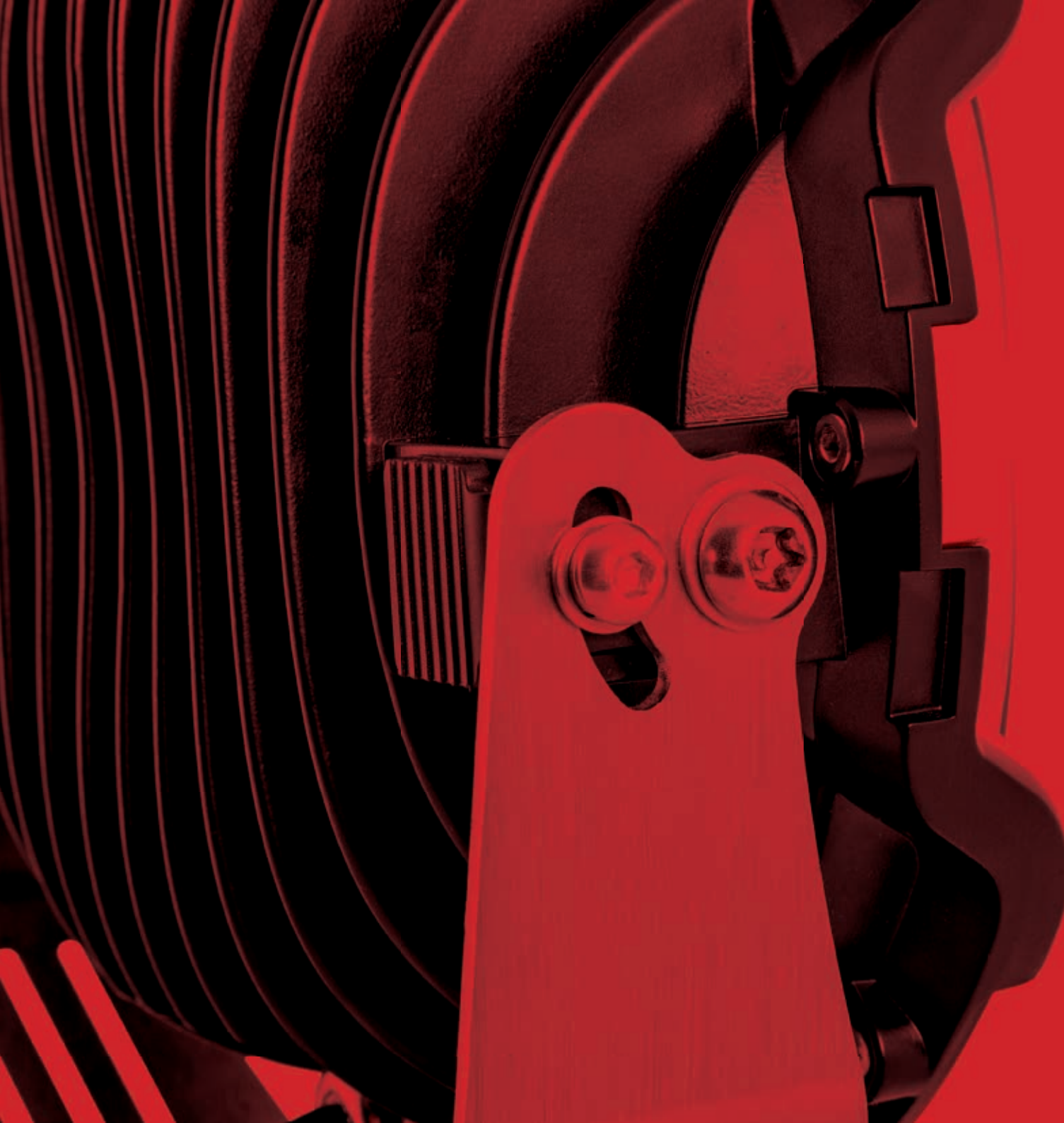
**A
WHOLE
NEW
DRIVING**

*Please check any
restrictions of your vehicle
regarding the installation
depth of the headlamp
before installation! It may
be necessary to modify
the existing headlamp
mountings!*



PHXL7
HEADLIGHT

EXPERIENCE



14

LED 9" Driving light DLSS 140° ECE grey/red

Part Number: LTPZ-DLSS9E-G/R

EAN: 4260482526450

ECE R112 driving light

ECE R10 electromagnetic compatibility

Scattering angle: 140

Category: driving light round

40°

D R I V I N G L I G H T

D L S S

1 4 0 °

L E D

E C E

9 "

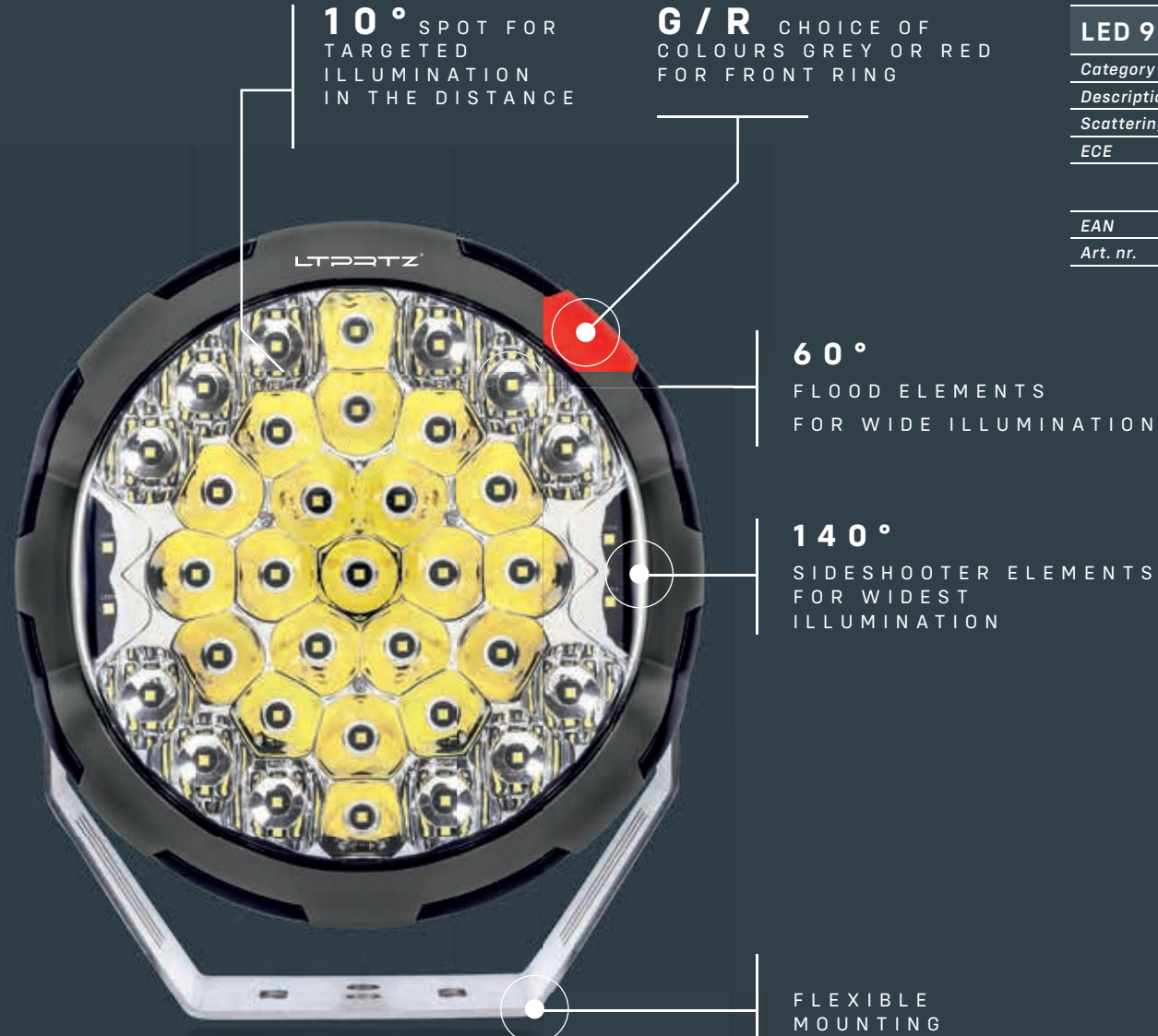
X-TYPE
DRIVING LIGHT

FLAT-X
DRIVING LIGHT

PRIME-X
DRIVING LIGHT

DLSS9E
DRIVING LIGHT

PHXL7
HEADLIGHT



10° SPOT FOR TARGETED ILLUMINATION IN THE DISTANCE

G / R CHOICE OF COLOURS GREY OR RED FOR FRONT RING

60° FLOOD ELEMENTS FOR WIDE ILLUMINATION

140° SIDESHooter ELEMENTS FOR WIDEST ILLUMINATION

FLEXIBLE MOUNTING

LED 9" DRIVING LIGHT

Category	Driving light rund
Description	DLSS 140° ECE grey / red
Scattering angle	140°
ECE	ECE R112 driving light
	ECE R10 electromagnetic Compatibility
EAN	4260482526450
Art. nr.	LTPZ-DLSS9E-G



SPECIAL FEATURES

- shockproof
- Waterproof
- UV-shielded
- anodized polyester powder coating
- efficient polycarbonate lens reflector
- Humidity compensation membrane
- Ambient temperature: -40° – +60°
- Certification for High beam
- Range: 874 m (1 Lux), 1748 m (0.25 Lux)
- Reference number: 30

PROTECTED AGAINST

- Reverse polarity
- RFI/EMC interference
- Voltage and current surges

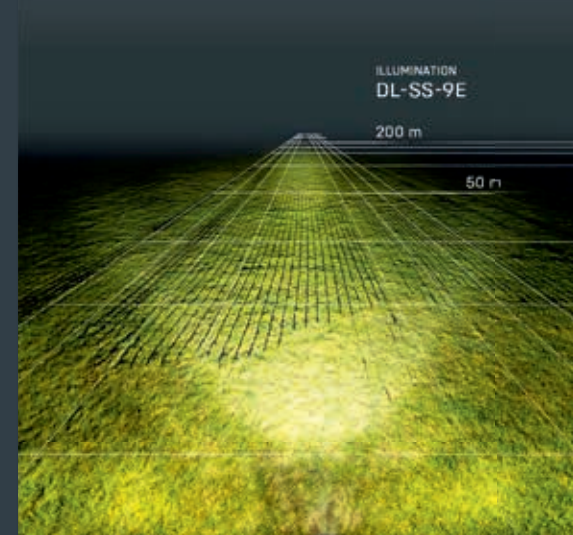
TECHNICAL DATA

Input voltage	9 – 36V
Light source	41x OSRAM P7 5W LED Chips
Power consumption	205 W
Light output (roh/eff)	11058 lm / 7964 lm
Colour temperature	5700 – 6000 K
Light Scattering	140°
Protection class	IP68 IP69K
Lens	break-proof polycarbonate
Housing	Die-cast aluminium
Attachment	standing hanging
Connection	molded Deutsch connector
Weight	2.5 kg
Dimensions	213 x 81 x 244 mm
Homologation	ECE 112R 10R

THEFT-PROOF
SCREW
CONNECTION

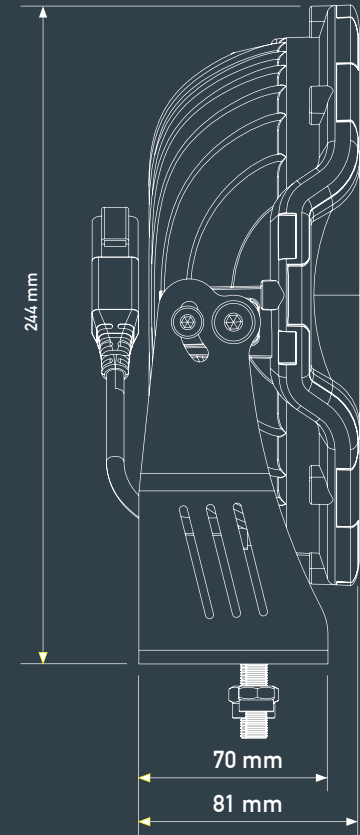
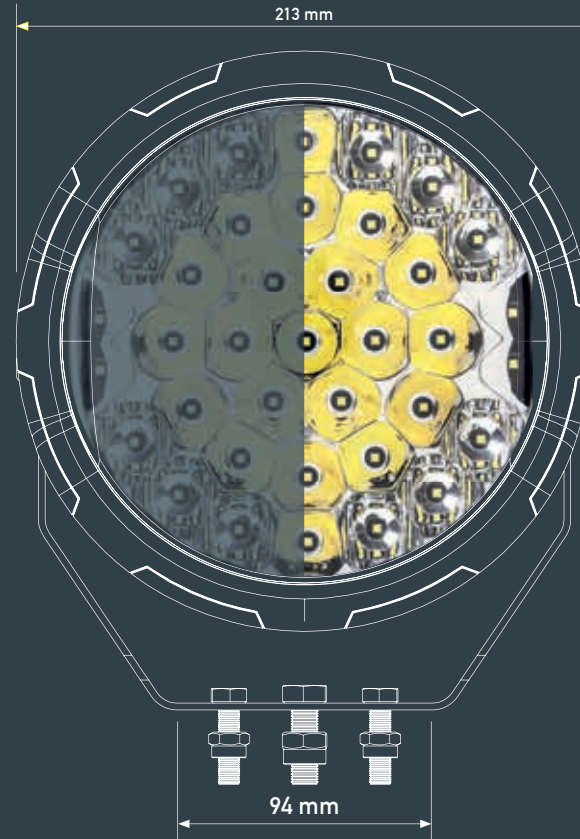
MEMBRANE

PROVIDES FOR
MOISTURE-
REGULATION



SCOPE OF SUPPLY

1x	LED DRIVING LIGHT DLSS9E GREY / RED
1x	MOUNTING
1 SET	FIXING SCREWS

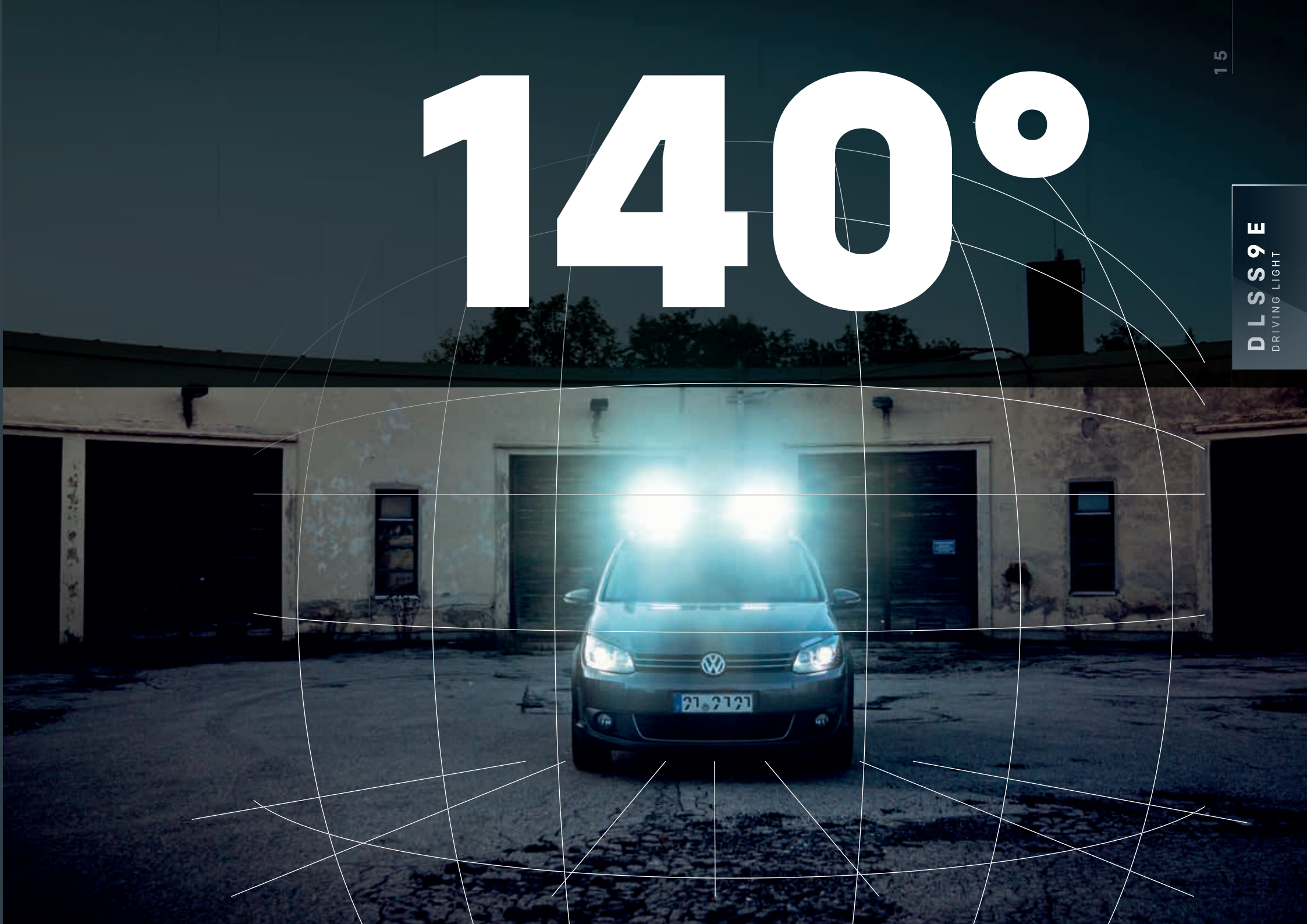


140°

SIDESHOOTER ELEMENTS
FOR WIDEST ILLUMINATION

SIDESHOOTER

140°



Discover Prime-X, another milestone for LTPRTZ's engineering team in the field of LED auxiliary headlights. Fully approved for road use, combined with exceptional light output, Prime-X is the first choice for applications where maximum illumination of the road is required at night. In addition to the aesthetic design, the series is functionally superior, the aerodynamic shape minimizes airflow and drag even at high speeds.

The use of the best and most robust materials, extreme manufacturing precision, as well as the latest reflector technology with the highest waterproofing characterize all PRIME products.

The light distribution is controlled by an optically redesigned double reflector, which allows the Lightbar to be mounted either upright or suspended, while at the same time dispensing with vertical light scattering. As a result, the light goes where it is supposed to go: across the full width of the roadway. Further positive effects are that additional energy consumption and dazzling oncoming traffic are avoided.



P R I M E - X

7 "

L E D

D R I V I N G

L I G H T

L I G H T B A R

PHXL7
HEADLIGHT

DLSS9E
DRIVING LIGHT

PRIME-X
DRIVING LIGHT

FLAT-X
DRIVING LIGHT

X-TYPE
DRIVING LIGHT



Also impressive is the high light transmission of the light but break-resistant Sabic LEXAN polycarbonate lens, which is provided with an additional UVHC3000 coating. Increased light sharpness and attention to detail allow the driver to recognize objects immediately, thus ensuring increased safety in road traffic. In addition, premature eye fatigue is prevented and driving - even over long distances - is much more relaxed.



THE PRIME X- PERIENCE



All materials have been tested for the toughest use under the most extreme conditions and the consistent performance of the lightbars is guaranteed at ambient temperatures from -40° up to $+95^{\circ}\text{C}$. The internal thermal management automatically regulates the light output so that the durability of the chips is guaranteed for years.





Of course, the certification also covers electromagnetic compatibility, so that there is no interference with other consumers in your vehicle.

With a length of only 161 mm and a height of 58 mm, the Prime-X 7 is designed for easy integration into niches of the vehicle where space is limited.

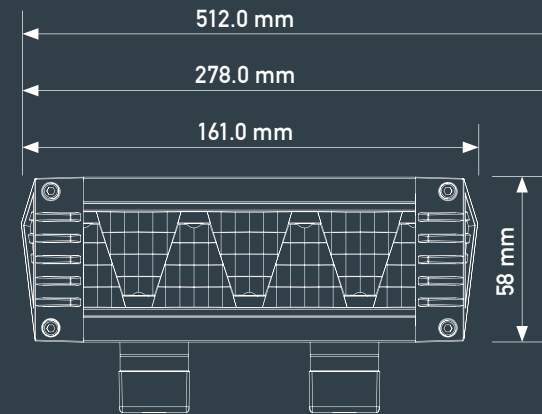
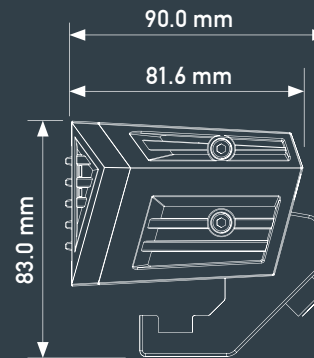
The supplied light-weight aluminium brackets allow flexible positioning for optimal alignment of the light in the desired direction.

PRIME-X
DRIVING LIGHT



STREET LEGAL AND OFFROAD

Onroad use: 7" | 11" | 20"
Offroad use: 48"



Waterproof



E-mark
Certification



European
Conformity



Housing



ECE
112R



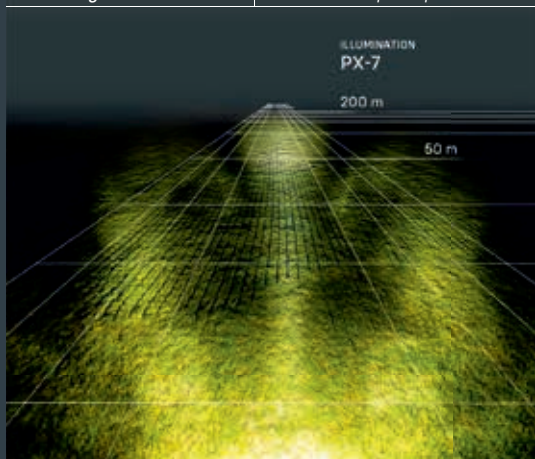
ECE
10R



RoHS 2

LED 7"	
Category	Driving light lightbar
EAN	4260482525453
Art. nr.	LTPZ-PX7E-1

TECHNICAL DATA	
Input voltage	9 - 33V
Light source	5x LED Chip
	12V: 24.3W 24V: 23.8W
Light intensity	58600 cd @12V
Light output (raw)	1985 lm
Light Scattering	ECE
Light colour	6000K
Protection class	IP69K (Testing according to ISO 20653)
Lens	Sabic LEXAN LS2-111 UVHC-3000 Coating
Housing	Aluminium 6063
Attachment	standing hanging
Connection	DT04-2P
Weight	0.82 kg
Dimensions	161 x 81.6 x 58 mm
Homologation	ECE R112.01 R10 Ref. 12.5



300 m

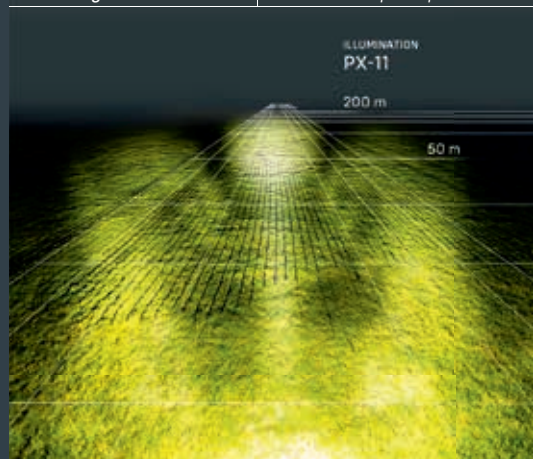
Reach

5 PCS.

L.E.D.S.

LED 11"	
Category	Driving light lightbar
EAN	4260482525484
Art. nr.	LTPZ-PX11E-1

TECHNICAL DATA	
Input voltage	9 - 33V
Light source	11x LED Chip
	12V: 54.5W 24V: 51.8W
Light intensity	137000 cd @12V
Light output (raw)	4367 lm
Light Scattering	ECE
Light colour	6000K
Protection class	IP69K (Testing according to ISO 20653)
Lens	Sabic LEXAN LS2-111 UVHC-3000 Coating
Housing	Aluminium 6063
Attachment	standing hanging
Connection	DT04-2P
Weight	1.36 kg
Dimensions	278 x 81.6 x 58 mm
Homologation	ECE R112.01 R10 Ref. 30



700 m

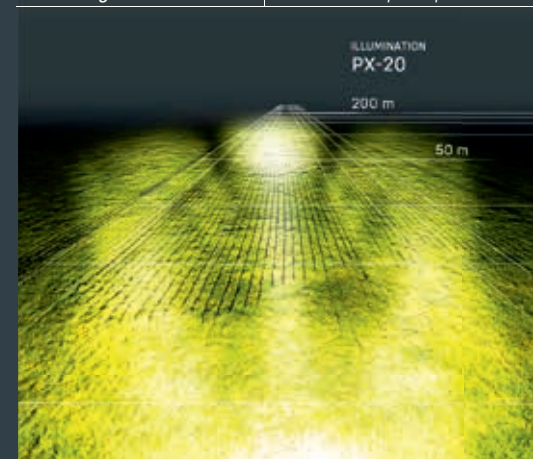
Reach

11 PCS.

L.E.D.S.

LED 20"	
Category	Driving light lightbar
EAN	4260482525453
Art. nr.	LTPZ-PX20E-1

TECHNICAL DATA	
Input voltage	9 - 33V
Light source	23x LED Chip
	12V: 76.4W 24V: 75.6W
Light intensity	209.100 cd @12V
Light output (raw)	8.734 lm
Light Scattering	ECE
Light colour	6000K
Protection class	IP69K (Testing according to ISO 20653)
Lens	Sabic LEXAN LS2-111 UVHC-3000 Coating
Housing	Aluminium 6063
Attachment	standing hanging
Connection	DT04-2P
Weight	na
Dimensions	512 x 81,6 x 58 mm
Homologation	ECE R112.01 R10 Ref. 50



900 m

Reach

23 PCS.

L.E.D.S.

DRIVE

Lightpartz Flat-X 9" | 16" | 23"
LED Driving light
30° Lightbar ECE
ECE R112 Driving light
ECE R10 electromagnetic compatibility
Housing height: only 38.5 mm (1.5")





ONLY
38,5
MM
HIGH

38.5 mm

L I G H T B A R

D R I V I N G

L I G H T

F L A T

X

X-TYPE
DRIVING LIGHT

FLAT-X
DRIVING LIGHT

PRIME-X
DRIVING LIGHT

DLSS9E
DRIVING LIGHT

PHXL7
HEADLIGHT

**SLIM
DESIGN**

WITH A HOUSING HEIGHT
OF ONLY 38.5 MM

**ANTI
CORROSION**

UV-RESISTANT
COATING

**NO
SCREWS**

AT THE
FRONT



STAINLESS STEEL

BRACKET LATERALLY ROTATABLE
MOUNTING UPRIGHT/HANGING
REAR SLIDING

**BREAK-PROOF
SLANTED
LENS**

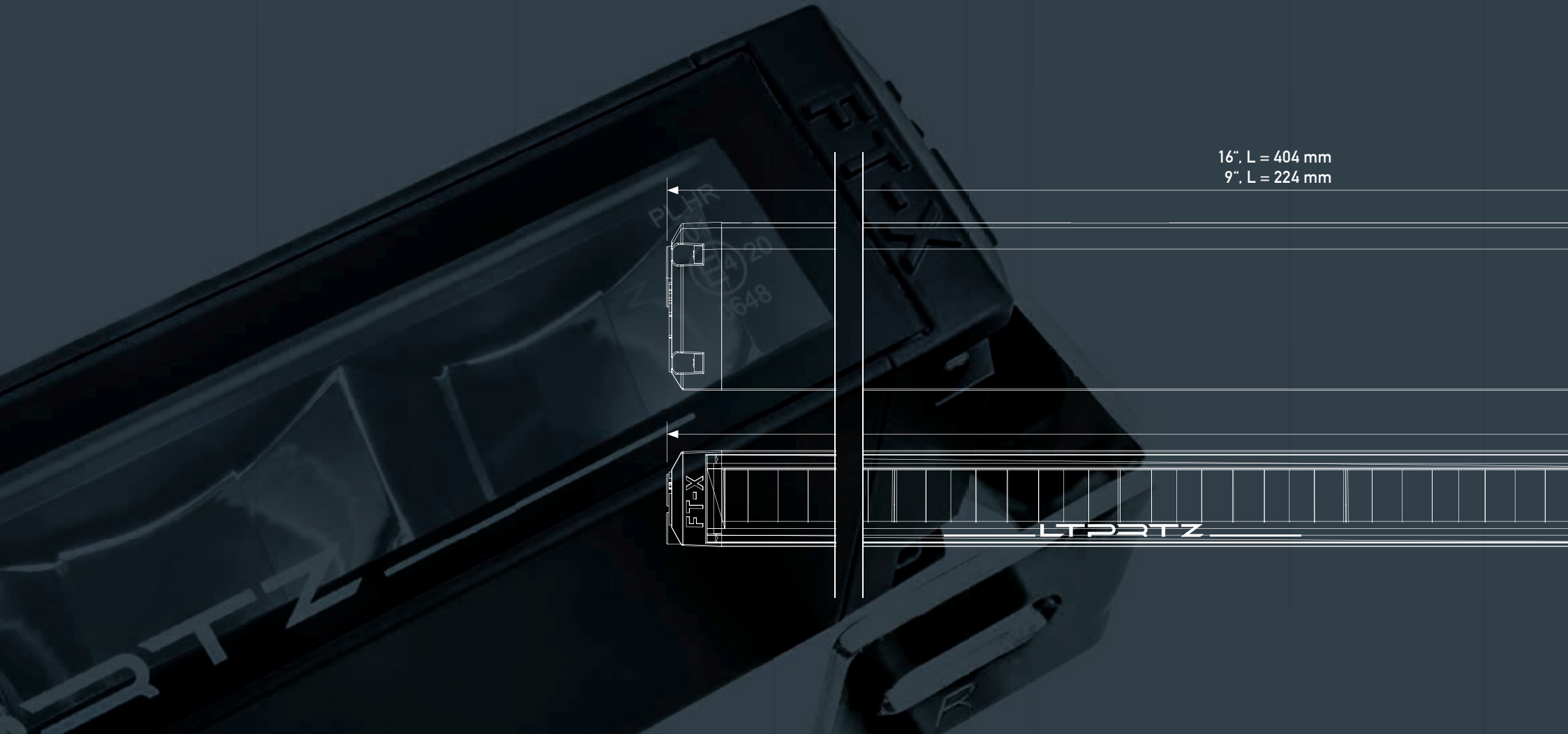
HIGH TRANSLUCENCY OVER
THE ENTIRE LIFETIME



**FLAT-X
HIGH-END
30°
9" | 16"
DRIVING LIGHT
LIGHTBAR**

SPECIAL FEATURES

- *Full road approval*
- *Highest water density: IP69K*
- *Highest quality materials*
- *Extremely small installation size*
- *Operating temperature: -30° C – +80° C*
- *Reference number: 20 / 25*
- *Reach: 300 / 330 m (1 Lux)*



16", L = 404 mm
9", L = 224 mm

LED 9" FLAT-X

Category	Driving light lightbar
EAN	4260482526177
Art. nr.	LTPZ-FX9E-1

TECHNICAL DATA

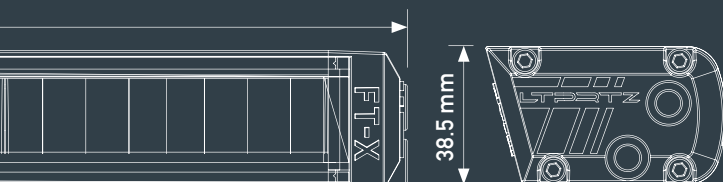
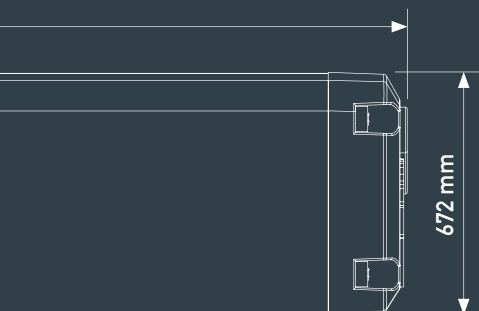
Input voltage	12/24V
Performance	12V: 31W 24V: 30W
Power consumption	12V: 2.35 A 24 V: 1.67 A
Light intensity	83600 cd
Housing	Aluminium extruded
Lens	Break-proof polycarbonate
Special UV-resistant coating	Polycarbonat with aluminium coating
Mounting	Stainless steel
Protection class	IP69K
Connection	DT04-2P
Homologation	ECE R10 R112.01
Reference number	25
LEDs	4x OSRAM
Light colour	5000 K
Dimensions	224 x 67.2 x 38.5 mm
Weight	0.7 Kg

LED 16" FLAT-X

Category	Driving light lightbar
EAN	4260482526153
Art. nr.	LTPZ-FX16E-1

TECHNICAL DATA

Input voltage	12/24V
Performance	12V: 67W 24V: 63W
Power consumption	12V: 5.1 A 24V: 2.3 A
Light intensity	108000 cd
Housing	Aluminium extruded
Lens	Break-proof polycarbonate
Special UV-resistant coating	Polycarbonat with aluminium coating
Mounting	Stainless steel
Protection class	IP69K
Connection	DT04-2P
Homologation	ECE R10 R112.01
Reference number	25
LEDs	8x OSRAM
Light colour	5000 K
Dimensions	404 x 67.2 x 38.5 mm
Weight	1.2 Kg



NEW



The 23" and 44" Flat-X STANDALONES may be installed as a single lightbar and legally used in road traffic by means of a double approval. No pairwise installation necessary anymore!

SINGLE M

LED 44" FLAT-X 2-IN-1 COMBO

Category	Driving light lightbar
EAN	4260482527303
Art. nr.	LTPZ-FX44E-2

TECHNICAL DATA

Protection class	IP69K
Homologation	ECE R10 R112.01
Reference number	2x 30
Dimensions	1118 x 67.2 x 38.5 mm
Further information	Not yet known at time of going to press

LED 23" FLAT-X 2-IN-1 COMBO

Category	Driving light lightbar
EAN	4260482526863
Art. nr.	LTPZ-FX23E-2

TECHNICAL DATA

Input voltage	12V/24V
Performance	12V: 2x 55W 24V: 2x 52W
Power consumption	12V: 8.3A 24V: 3.7A
Lumen (raw/effective)	10080 / 7360 lm
Housing	Aluminium extruded
Lens	Break-proof polycarbonate Spezial coating, UV-resistant
Mounting	Stainless steel
Protection class	IP69K
Connection	DT04-2P
Homologation	ECE R10 R112.01
Reference number	2x 25
LEDs	12x OSRAM
Reach	450 m (1 Lux)
Light colour	white
Dimensions	584 x 67.2 x 38.5 mm
Weight	1.7 kg

**SPECIAL FEATURES**

- Highest water density: suitable for high pressure
- Highest quality materials
- Extremely small installation size
- Can be used at ambient temperatures from -30° – $+80^{\circ}$.
- Certification for electromagnetic compatibility (ECE R10)

**XX
TYPE
PE**





O S I T I O N L I G H T

D R I V I N G W I T H

L I G H T

D R I V I N G T Y P E

X

X-TYPE
DRIVING LIGHT

FLAT-X
DRIVING LIGHT

PRIME-X
DRIVING LIGHT

DLSS9E
DRIVING LIGHT

PHXL7
HEADLIGHT

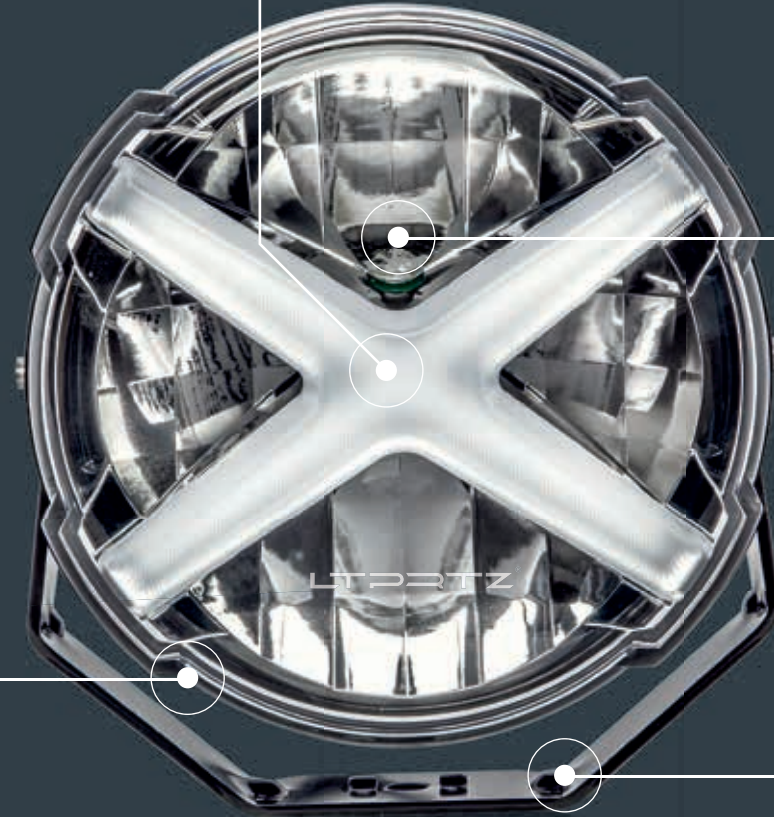
X-TYPE 7" HIGH END

POSITION LIGHT
WITH STRIKING
X-DESIGN

PERFECT
ILLUMINATION
OF THE
ROADWAY

MOISTURE-
REGULATING
MEMBRANE

HIGHLY
STABLE
AND
VIBRATION
RESISTANT
MOUNTING



RoHS 2



Driving light



Housing



European
Conformity



Parking light



E-mark
Certification



LED



Reach



Approval



Waterproof



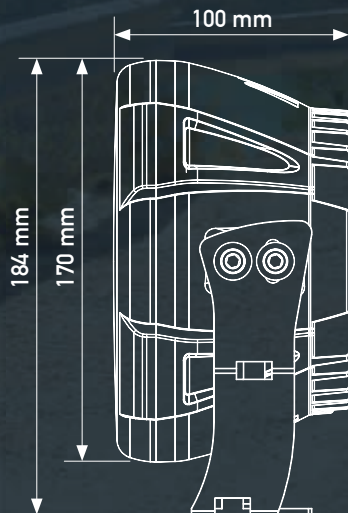
L.E.D.S.

X-TYPE 7" LED

Category	Driving light with navigation light
EAN	4260482526252
Art. nr.	LTPZ-PXT7E-1

TECHNICAL DATA

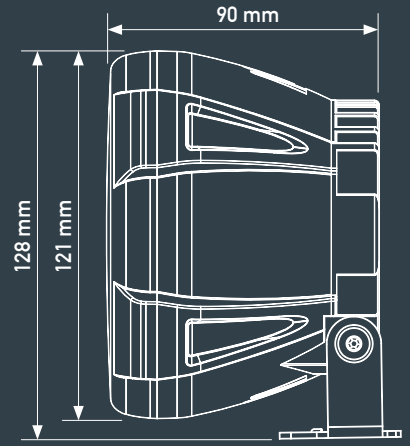
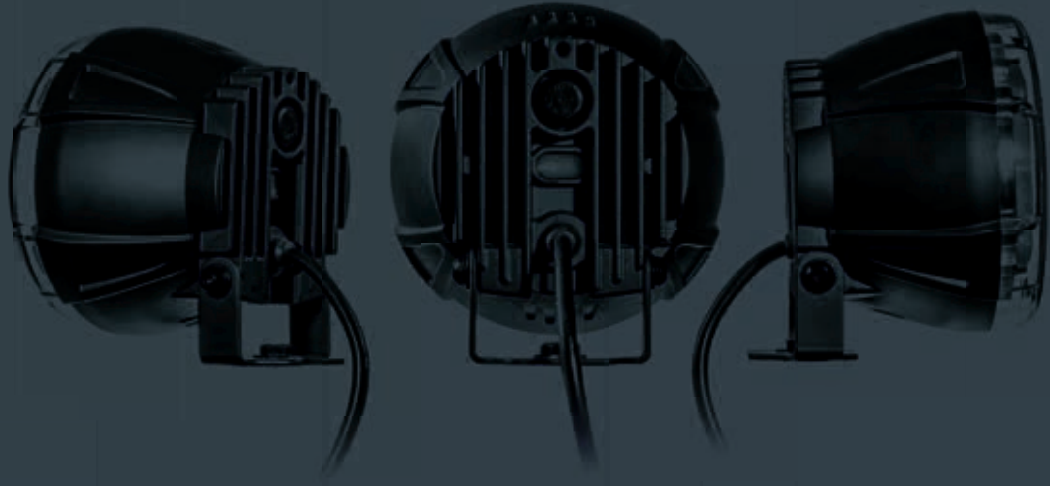
Input voltage	9 – 33V DC
Power consumption	
High beam	12V: 13W 24V: 12W
Position	12V: 3.4W 24V: 3.2W
Housing	Aluminium ADC12, black coating
Lens und Reflektor	Polycarbonat PHC587 Coating
Mounting	SPCC
Protection class	IP69K
Connection	Deutsch 3 poles
Homologation	ECE R7 R10 R112 Klasse B
Reference number	25
LEDs	High beam 4 x OSRAM Parking light 24 x SEOUL
Light colour	white
Light intensity	108000 cd
Dimensions	Ø 170 x 100 x 184 mm
Weight	1.3 kg



SPECIAL FEATURES

- Water and dust proof, shock resistant
- Highest quality materials
- Extraordinary design
- small installation size fits for many applications
- Can be used at ambient temperatures from -40° – +80°.
- Certification for electromagnetic compatibility
- Reference number: 25
- Reach: 620 m (0.1 Lx), 310 m (1 Lx)





X-TYPE 5" LED

Category	Driving light with position light
EAN	4260482526221
Art. nr.	LTPZ-PXT5E-1

TECHNICAL DATA

Input voltage	9 – 33V DC
Power consumption	
High beam	12V: 24.6W 24V: 22.8W
Position	12V: 2.2W 24V: 2.4W
Housing	Aluminium ADC12, black coating
Lens and reflector	Polycarbonat PHC587 Coating
Mounting	SPCC
Protection class	IP69K
Connection	Deutsch 3 poles
Homologation	ECE R7 R10 R112.01
Reference number	20
LEDs	High beam 4x OSRAM Parking light 12x SE0UL
Light colour	white
Light intensity	96000 cd
Dimensions	Ø 121 x 90 x 128 mm
Weight	0.7 kg

WWW.LTPRTZ.DE

#LTPRTZ

SPECIAL FEATURES

- Water and dust proof, shock/vibration resistant
- Highest quality materials
- Extraordinary design
- Extremely small installation size suitable for many applications
- Can be used at ambient temperatures from -40° – $+80^{\circ}$.
- Certification for electromagnetic compatibility
- Reference number: 20
- Reach: 470 m (0.1 Lx), 296 m (1 Lx)



Driving light



Parking light



Reach



Waterproof



L.E.D.S.



Housing



E-mark
Certification



Approval



RoHS 2



European
Conformity



LED



LTPRTZ® is a registered brand
of the company Winch Industry GmbH.



Web: www.winchindustry.com
Phone: +49 (0) 8234 | 70 662 - 40
Telefax: +49 (0) 8234 | 70 662 - 69
Address: Boshstr. 6 · 86399 Bobbingen
Germany (Bavaria)

P R E M I U M
L E D
2 0 2 0